



PARTS LIST
DERRINGER
.22 CALIBER PISTOLS
Model D-100
Model DM-101

HOW TO ORDER REPAIR PARTS

The following information must be furnished when ordering replacement parts:

1. Model Name and Number
2. Catalog Number
3. Number and Name of Parts

PISTOL SHIPPING INSTRUCTIONS

CAUTION: For safety of all concerned - Be absolutely certain pistol is empty...with no shells or cartridges in chamber. Pistols should be securely packaged in a throwaway carton to prevent damage in transit. Do not ship pistols to the factory in gun carrying case or other special containers which must be returned by our service department. Pistols should be shipped to the factory - Express Prepaid. Dealers with Federal Firearms permit may ship by Parcel Post Insured. REMEMBER: All Shipments to the factory must be Prepaid.

FACTORY SERVICE

If parts are to be fitted at the factory, send pistols marked for the attention of our SERVICE DEPARTMENT, furnishing complete and specific repair instructions. A cost estimate of the parts and labor charges will be immediately sent for your approval before work is started. Unless a flat rate charge is specified, a MINIMUM of \$6.50 will be charged on servicing pistols at the factory.

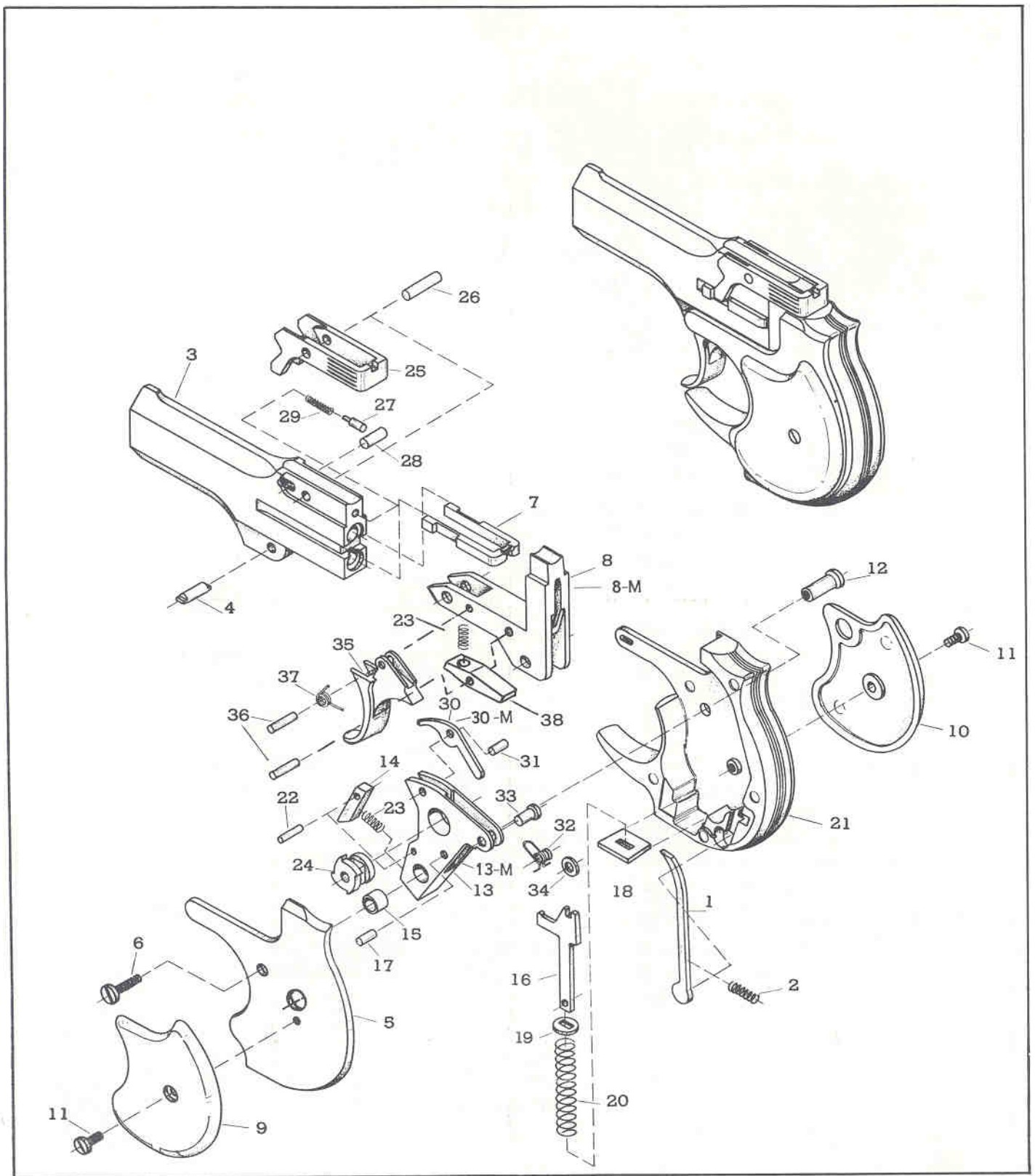
MINIMUM ORDER \$1.00

A minimum charge of \$1.00 is made on all orders where the normal cost would be less than \$1.00. If you wish, order extra parts to make up the minimum charge.

PAYMENT

All parts shipments will be made by Parcel Post C.O.D. unless advance remittance is made. PLEASE DO NOT SEND CASH OR STAMPS. Checks, Money Orders, or Drafts are acceptable and will save you C.O.D. charges.

THE HIGH STANDARD MANUFACTURING CORPORATION, Hamden, Conn.



CAUTION: FOR SAFETY'S SAKE DO NOT ATTEMPT TO REPAIR PISTOL WITHOUT RECEIVING RELIABLE ADVICE

PARTS LIST FOR

DERRINGER

CAT. #9193

MODEL D-100

DERRINGER(CAL.22 MAGNUM) CAT. #9194

MODEL DM-101

WHEN ORDERING REPAIR PARTS, ALWAYS GIVE THE FOLLOWING INFORMATION AS SHOWN IN THIS LIST:

1. THE PART NUMBER.
2. THE PART NAME.
3. PISTOL MODEL NUMBER AND NAME.
4. THE CATALOG NUMBER.

All parts identified with an (*) must be fitted to the gun at the factory. Do not order repair parts by key number, always use the part number.

(Prices Subject to Change Without Notice)

REF. NO.	PART NO.	PART NAME	PRICE EACH
1	1937	Actuator.....	\$ 1.25
2	1939	Actuator Spring.....	.30
3	*1916	Barrel.....	13.50
N.I.	*1981	Barrel and Extractor Assembly.....	16.25
N.I.	*1991	Barrel and Extractor Assembly-DM-101..	16.25
4	1926	Barrel Pivot Pin.....	.75
5	1903	Cover Plate.....	2.00
6	1913	Cover Plate Screw.....	.30
7	*1917	Extractor.....	2.75
8	*1920	"L" Frame.....	7.00
8-M	*1970	"L" Frame-DM-101.....	7.00
9	1930	Grip, Left Side.....	1.75
10	1931	Grip, Right Side.....	1.75
11	1915	Grip Screw (2) ea.....	.30
13	1923	Hammer.....	5.00
13-M	1973	Hammer-DM-101.....	5.00
N.I.	1984	Hammer Assembly.....	11.20
N.I.	1994	Hammer Assembly-DM-101.....	11.20
14	1927	Hammer Pawl.....	1.25
22	1908	Hammer Pawl Pin.....	.30
23	1941	Hammer Pawl Spring.....	.30
12	1936	Hammer Pivot Screw.....	.30
15	1922	Hammer Pivot Sleeve.....	.75
38	1942	Hammer Safety Block.....	1.50
36	1909	Hammer Safety Block Pin.....	.30
23	1941	Hammer Safety Block Spring.....	.30
20	1933	Hammer Spring.....	.30
16	*1929	Hammer Strut.....	1.25
N.I.	1985	Hammer Strut Assembly.....	2.35
17	1907	Hammer Strut Pin.....	.30
18	1921	Hammer Strut Plate.....	.50
19	1932	Hammer Strut Washer.....	.30
21	1902	Housing.....	5.00
24	1965	Ratchet.....	.95
25	*1906	Stirrup.....	3.50
26	1924	Stirrup Pivot Pin.....	.30
27	1914	Stirrup Plunger.....	.30
29	1928	Stirrup Plunger Spring.....	.30
28	1904	Stirrup Roller.....	.50
30	1919	Striker.....	1.25
30-M	1969	Striker-DM-101.....	1.25
31	1905	Striker Pivot Pin.....	.30
32	1934	Striker Spring.....	.50
33	1925	Striker Spring Retaining Pin.....	.30
34	1940	Striker Spring Spacer Washer.....	.30
35	1918	Trigger.....	3.50
36	1909	Trigger Pivot Pin.....	.30
37	1935	Trigger Spring.....	.50

N.I. - Not Illustrated

INSTRUCTIONS FOR OPERATION AND CARE OF YOUR HI-STANDARD DERRINGER

Model D-100 Cal.22 Short, Long or Long Rifle (Standard or Hi-Velocity) Model DM-101 Cal.22 Magnum (.22 W.M.R.F.)

LOADING:

Your High Standard Derringer is a break-open type two shot pistol with superposed barrels, one barrel is located above the other.

To load the gun, obtain a firm hold on the stirrup with your thumb and forefinger of either hand and lift up until the stirrup disengages the locking lug on the "L" frame. The breech end of the chambers is now easily accessible and two cartridges, short, long, or long rifle — standard or high velocity or .22 magnum — depending on model — may be inserted. **IMPORTANT:** When using .22 shorts, due to the short length of the cartridge, they may slip under the extractor if the extractor is held in extracted position. It is advisable to first push the stirrup into a parallel position with the barrels thereby returning the extractor until it is flush with the breech face while the barrels are in the open position before inserting caliber .22 short cartridges. A simple pressure on the rear portion of the barrel will snap the stirrup in place and lock the barrels in place.

CAUTION — Keep fingers free of trigger at the time of loading the chambers and point the gun in a safe direction, preferably towards the ground.

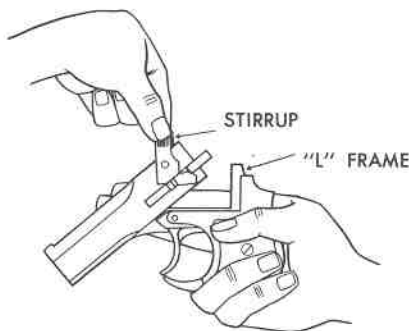


FIGURE 1

FIRING:

This is a double action pistol in which a mechanism is incorporated that alternates the striker between the lower and upper chambers. To fire the pistol, it is only necessary to apply steady pressure on the trigger until the hammer falls carrying the striker to a cartridge rim. The firing mechanism is non-selective; for example, if the lower barrel had been fired last, the upper barrel will be discharged on the next pull of the trigger and vice-versa.

UNLOADING OR REMOVAL OF FIRED CARTRIDGE CASES:

In order to remove either live cartridges or fired cases from the barrels, it is only necessary to lift the stirrup in the same manner as described on the loading procedure. Extraction and ejection are automatic.

CARE AND MAINTENANCE:

1. Before first firing the gun, make certain that the bore is clean and free from any obstruction. If the bore has been filled with grease for extended storage, all grease should be removed before shooting by swabbing out the bores with a

.22 caliber bore-cleaning tool. Also remove any excessive accumulation of oil from inside of the barrels.

2. After extensive shooting, cleaning will become necessary. The use of kerosene or any other good cleaning solution is recommended.

3. In cleaning the muzzle, an old toothbrush or similar brush should be used. If mud or foreign matter should enter the bore, a stiff bristle brush or copper wire brush for .22 caliber guns should be used. After brush has removed all mud and foreign matter, the bore should be swabbed with flannel patches attached to a .22 caliber cleaning rod. Patches should be moistened with a good gun oil and the swabbing of the bore should be continued until the patches come out clean.

4. After the face on the "L" frame opposite the breech end of the barrels has been thoroughly cleaned, drop a few drops of light bodied oil through the striker opening into the action.

5. The entire gun should be wiped dry of kerosene or cleaning solution with a clean absorbent cloth and the surfaces should be wiped with a lightly-oiled patch.

6. For best results in rust prevention, only high quality gun lubricants should be used. (See your dealer)

7. Avoid using heavy-bodied oils. No animal or vegetable oils should ever be used on guns.

8. If the gun is used in climates where extreme cold prevails, powdered graphite should be substituted for oil in lubricating the internal mechanism. In moist climates the gun should be cleaned more frequently and preferably stored in a container treated with silicone to prevent rust.

DRY FIRING:

In dry firing the pistol, it is best to first insert dummy cartridges or fired cases into the chambers. These will prevent damage to the striker and chambers.

HI-STANDARD PISTOLS ARE FACTORY TESTED WITH ALL STANDARD BRANDS OF AMMUNITION

TAKEDOWN IS RECOMMENDED BY QUALIFIED GUNSMITHS ONLY

1. Remove grips.
2. Remove cover plate screw, part #1913, without removing hammer pivot screw, part #1936. Lift off cover plate.
3. Partially cock the hammer by pulling trigger until the hole in the hammer strut, part #1929, emerges below the hammer strut plate, part #1921. Insert drift punch into said hole and release trigger, thereby removing tension off hammer spring; hammer strut assembly can now be lifted out in one unit. Actuator, part #1937, and actuator spring, part #1939, can now be removed.
4. Remove hammer pivot screw, part #1936; hammer assembly and housing can now be removed from "L" frame. When removing hammer assembly, take care not to lose hammer pivot sleeve, part #1922.

REVERSE PROCEDURE FOR RE-ASSEMBLY

CAUTION: USE OF CAL.22 SHORT, LONG OR LONG RIFLE CARTRIDGES IN MODEL DM-101 IS NOT RECOMMENDED.